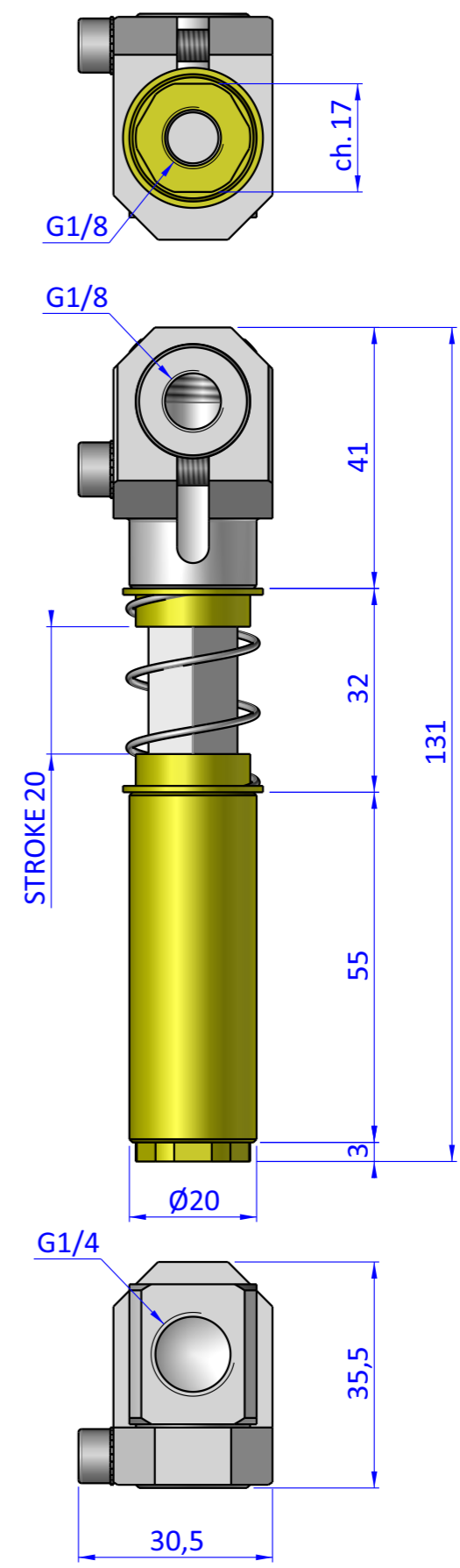
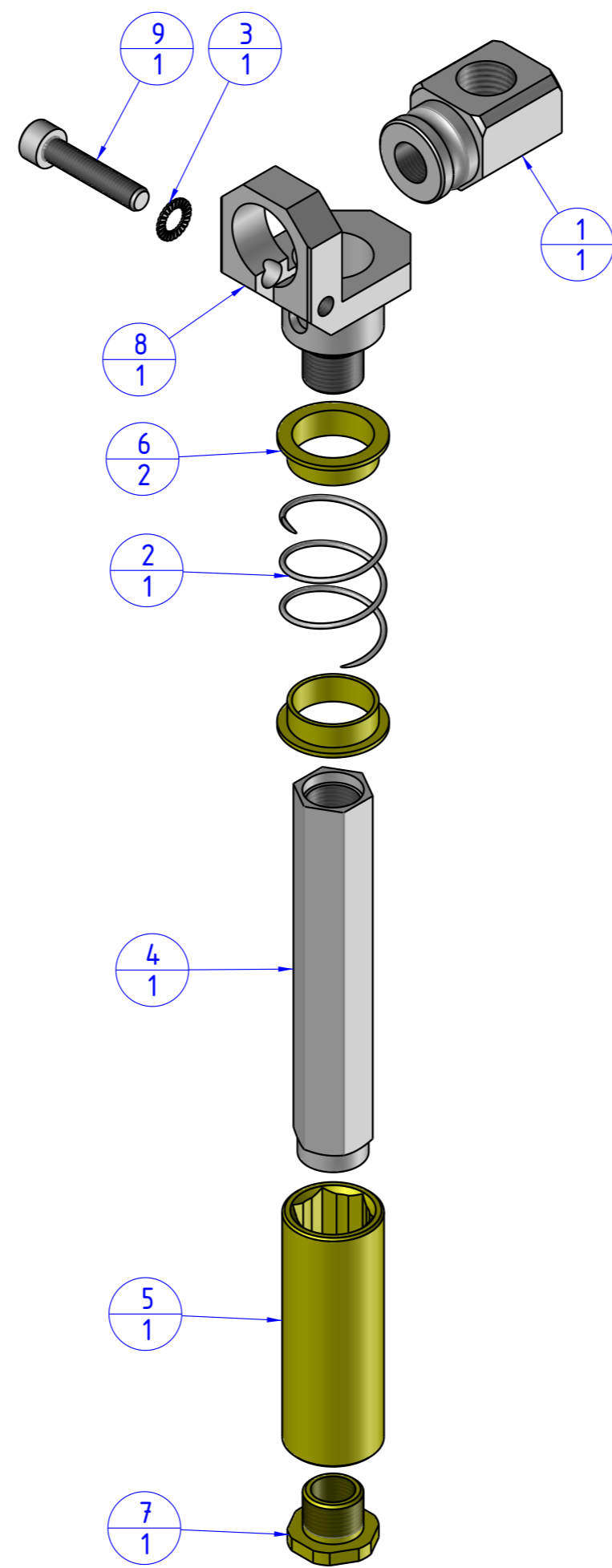



THE PROPERTY OF THE DRAWING IS ESTABLISHED BY LAW. IT IS FORBIDDEN TO PRODUCE OR SHOW IT TO THIRD PART. WITHOUT A WRITTEN AGREEMENT.

Item	Name	Q.ty
1	GGB.20.14.18	1
2	M.21x44	1
3	R.5.SCH	1
4	SAE.20141825.2	1
5	SAE.20141825.3	1
6	SAE.20141825.4	2
7	SAE.20141825.5	1
8	SAS.20.1	1
9	V.TCE5x25	1



Format A3
UNI 936-76

 FPS FPSERVICES AUTOMATION		DESIGNED FROM		REVIEW
		FPS Automation		A
GENERAL TOLERANCE		DATE		WEIGHT
UNI - ISO 2768		21/01/2022		0,155kg
CLASSE f		CODE		
		CA.SAS.20141825		CA.SAS.20141825